

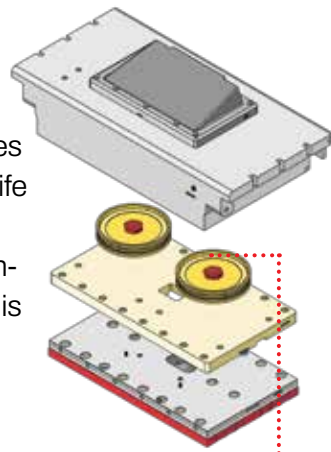
Innovative Custom
Solutions for Your
Packaging
Applications



RAPIDpak
RP-45
THE FOREVER
MACHINE.

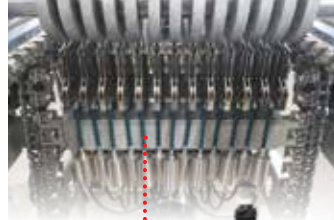
A. Piston Seal Head

Our new Piston Seal Head offers better, more efficient sealing while offering many advantages over Bladder Style Seal Heads. With a longer life expectancy, better sanitary design and readily available components, you will have less downtime and easier maintenance replacement. This head ties directly into the existing pneumatics and offers proven performance.



B. Squeezing Knives

This system cuts the package in longitudinal direction. The knife blades can be slotted around the outside perimeter to create a perf cut and can also be changed tool-free from an easy change over from continuous to perforation cutting.



C. Swing-out Electrical Cabinet Design with AB Controls

RapidPak has developed a new system to split the controls into 2 separate cabinets: one for the low voltage area, and the other for the high voltage side. These hinge-mounted cabinets can swing open and out of the way, allowing full access to the sealing lifting system from the back side of the machine. This facilitates much faster lubrication, maintenance, and emergency access.



The Allen-Bradley controls are not only the industry-standard, they are touch-screen for the ultimate in control and ease-of-use.



D. Side Extractable Plug-Assist

(U.S. Patent 7,607,279, 7,670,138, and 8,181,432)

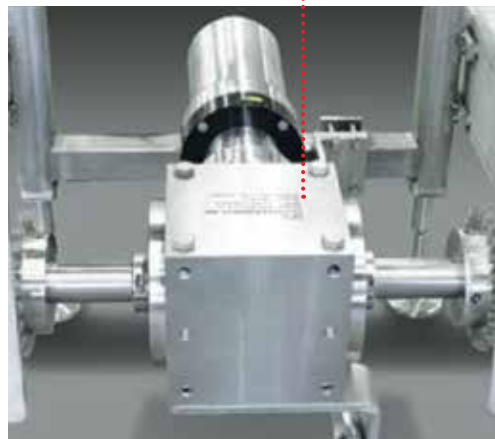
This system is designed in a low profile format so that infeed conveyors and auto loading equipment can still be placed directly over it.

And amazingly, the entire plug plate can be removed and changed-out through the side of the plug head. No more swinging the heavy plug plate assembly up to sit at a 90° angle while the cumbersome plug plate is unbolted. Our side extractable plug assist feature allows the plate to simply slide out. Extremely quick changeovers are now a reality, even with cumbersome plug-assist systems.



G. Servo Controlled/Center Mounted Gripper Chain Drive System

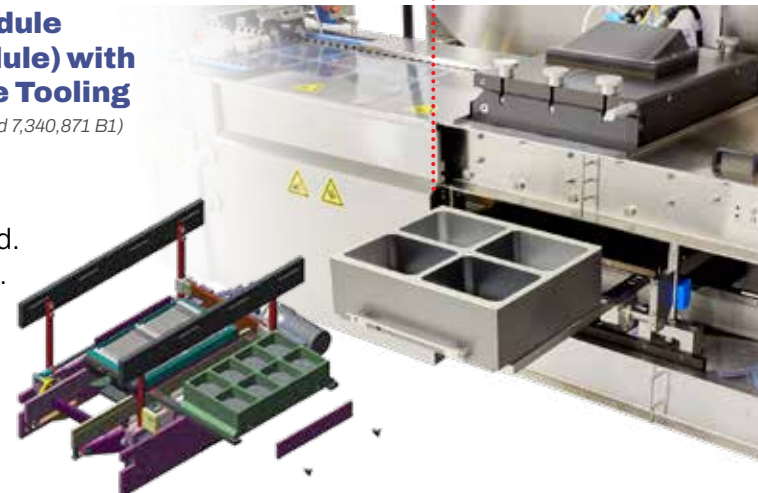
Previously, customers removed stretched gripper chains and swapping them from side to side. When the gripper chain drive motor is mounted on one side of the packaging machine, the drive shaft is torqued slightly disproportionately from side to side. This in turn causes chains on one side to eventually stretch more than the chains on the other side. This design flaw is eliminated by RapidPak with our Servo-Controlled/Center Mounted gripper chain drive motor system.



F. Servo Lifting Module (Die Closing Module) with Side Extractable Tooling

(U.S. Patents 7,607,279 B2 and 7,340,871 B1)

- Quick changeovers.
- Ergonomically focused. No heavy lifting. Quiet.
- Eliminates film waste during changeover.



E. Jumbo Unwind

(Patents Pending)

The RapidPak jumbo unwind handles film rolls up to 40 in (1000 mm) in diameter. The servo driven jumbo unwind turns on and never stops - it runs continuously. So we have a continuous motion device feeding an intermittent motion machine. The speed of the jumbo unwind varies automatically as the roll gets smaller, but the unwind never stops until the entire machine stops, thus eliminating film necking and tracking problems.



RAPIDPAK
RP-45
FOREVER MACHINE

Start Your Packaging Revolution with the RapidPak RP-45...



The Innovative Packaging Solution for Virtually Every Application



Meat & Poultry Applications



Sterile Medical Disposable Devices



Cheese Packages & Specialty Foods



Hardware & Consumer Goods

See Our Full Line of Machines for All Your Packaging Applications



RP-25

Medium range machine with many features of the bigger machines. Capacity unit processes 5 cycles per minute with fast change over and easy maintenance. Zero package defects due to cross-cutting.



RP-75

Developed for depth-of-draw applications up to 7½" deep. Ideal for cook in applications. And that means an RP-75 can be handle the type of high-volume work that your company demands, for years to come.



+1 847.741.3500
440 South McLean Blvd.
Elgin, IL 60123 USA

sales@rapidpak.com
service@rapidpak.com
www.rapidpak.com

